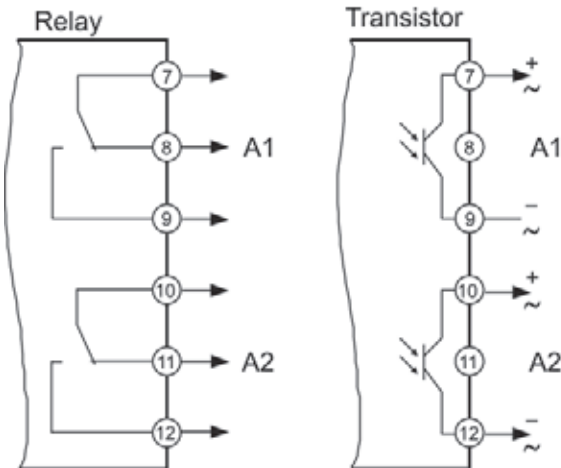


Connection Diagrams X9648, Terminals B-D

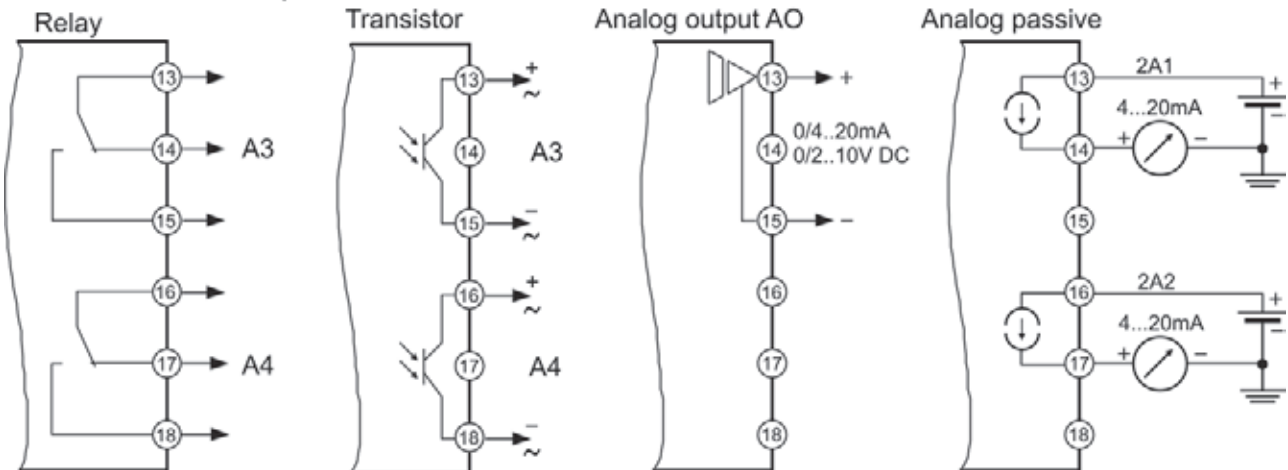
Terminal strips B, C, D

Terminal strip A belongs to each article.

Terminal strip B (varies with versions) 2 alarm outputs



Terminal strip C (varies with versions) 2 alarm outputs



Terminal strip D supply voltage (varies with version)

