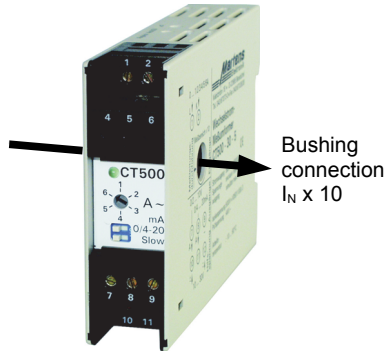


# AC Current Transmitter CT500



- 12 measuring ranges selectable 0..6 A / 0..60 A AC
- Average function selectable
- Frequency range 40..2000 Hz

## Characteristics

AC current transmitter CT500 converts true r.m.s. current measuring values of all types of waveform into industry standard signals for process control systems. For example, the load current of an frequency converter can be detected and converted.

## Technical data

### Power supply

Supply voltage : 85..265 V AC or 10..30 V AC/DC  
Frequency : 40..400 Hz  
Power consumption: < 3 VA  
Operating temperature : -10..+60 °C  
CE-conformity : EN 61326-1:2013; EN 60664-1:2007

### Input

Current  
Terminals : 0..1 / 2 / 3 / 4 / 5 / 6 AAC, over load max. 9 A  
Bushing connection: 0..10 / 20 / 30 / 40 / 50 / 60 A,  
over load max. 90 A,  
cable diameter max. 8 mm

Ri : < 20 mΩ  
Frequency : 40..2000 Hz fundamental wave,  
16<sup>2</sup>/<sub>3</sub> Hz on request

Start value : adjustable ± 5 %  
End value : adjustable ± 35 %

### Output

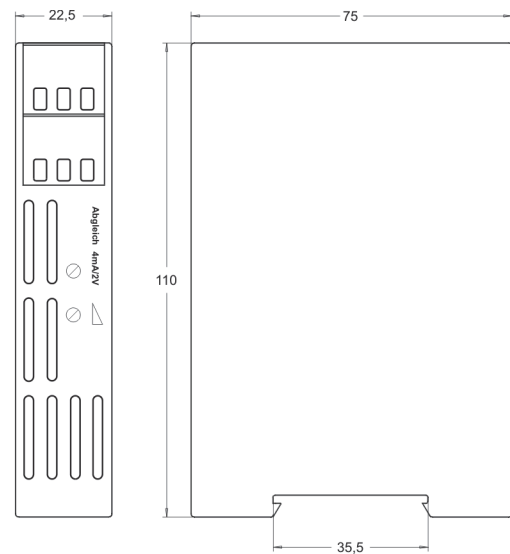
Current : 0/4..20 mA, selectable, burden ≤ 1 kΩ  
Voltage : 0/2..10 V DC, selectable,  
load max. 15 mA, short circuit proof  
(parallel with the voltage output max. 5 mA)

Rise time (T<sub>90</sub>) : ≤ 150 ms  
Accuracy : ≤ 0.5 %; single adjustment ≤ 0.2 %

**Case** : Polycarbonate, UL94V-0  
TS 35 acc. to DIN EN 60715:2001-09

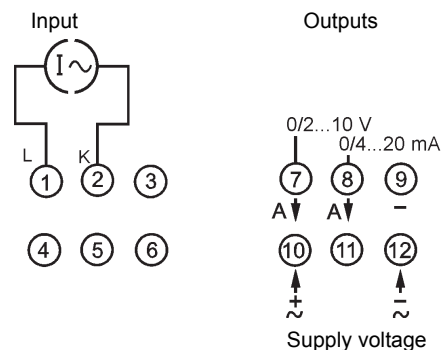
Weight : approx. 200 g  
Connection : terminals, max. 2.5 mm<sup>2</sup>  
Protection class : case IP30,  
terminals IP20, acc. to BGV A3

## Dimensions



DIN rail mounting TS35

## Connection diagrams



## Ordering code

CT500 -  1. -  2.

1. Measuring ranges	
30	0..1 / 2 / 3 / 4 / 5 / 6 and 0..10 / 20 / 30 / 40 / 50 / 60 A AC <i>custom range on request</i>
2. Supply voltage	
0	85..265 V AC
5	10..30 V DC
Accessories	
KA-VT	terminal cover for measuring voltages >400 V AC