

# Conductivity Meter LF1010



## Characteristics

The Conductivity-Meter LF1010 has been designed for the measurement of conductivity, as a degree of the purity or concentration of a liquid. In connection with 4-electrode-conductivity cells a high accuracy and insensitivity of contamination can be achieved. A further advantage is a broad range of application with only one cell. Only for measurement in ultra-pure water a special 2-electrode conductivity cell must be used.

## Technical data

### Power supply

Supply voltage : 230 V AC  $\pm 10\%$ ; 115 V AC  $\pm 10\%$ ;  
24 V AC  $\pm 10\%$  or 24 V DC  $\pm 15\%$

Power consumption : max. 3.5 VA

Operating temp. : -20..+55 °C

CE-conformity : EN 61326-1:2013  
EN 60664-1:2007

### Inputs

MR conductivity : 0..2.000(0)  $\mu\text{S/cm}$  up to  
0..2000 / 200(0)  $\text{mS/cm}$  (at 25 °C)

-Cell constant : 0.080..9.999

-Accuracy : 0.5 % of the measuring value,  $\pm 2$  Digit

-Temperature comp. : non linear for ultra pure water and natural  
water or linear programmable from  
0.000..9.999 %/K

MR temperature : -50.0..200.0 °C; Sensor Pt100 or Pt1000

-Accuracy :  $\pm 0.2$  °C

**Display** : LED red, 14.2 mm

Indicating range : 2000(0) Digit with leading zero suppression

Parameter display : LED 2-digit red, 7 mm  
(Parameter - and output indicator)

### Outputs

Relay : SPDT < 250 V AC < 250 VA < 2 A,  
< 300 V DC < 50 W < 2 A

**Field case** : Material PA6-GF15/15, keypad polyester

Dimensions : 100x100x60 mm

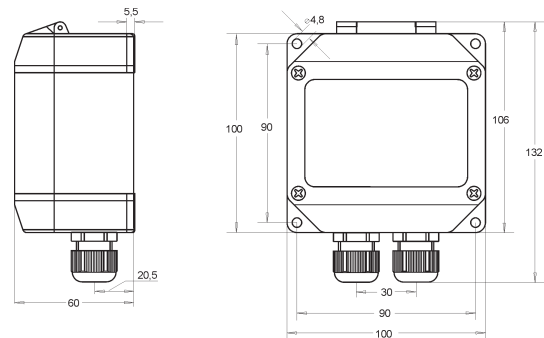
Weight : max. 450 g

Connection : clamp terminals

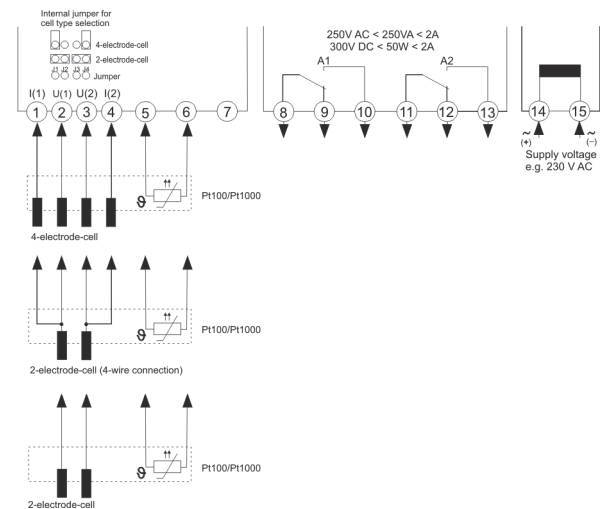
Terminals 1-4 : *single wire* 0.75 mm<sup>2</sup>, AWG18      0.5 mm<sup>2</sup>, AWG 20  
Terminals 5-15 : 2.5 mm<sup>2</sup>, AWG13      1.5 mm<sup>2</sup>, AWG 15

Protection class : IP65, terminals IP20 acc. to BGV A3

## Dimensions



## Connection diagram



## Ordering code

LF1010 -  1. -  2. -  3. -  4. -  5. -  6.

<b>1. Input</b>		
1	input for 2- or 4-electrode-cells, temperature compensation via Pt100	
3	as 1, but temperature compensation via Pt1000	
<b>2. Alarm output</b>		
00	not installed	
2R	2 relay	
<b>3. Supply voltage</b>		
0	230 V AC	$\pm 10\%$ 50-60Hz
1	115 V AC	$\pm 10\%$ 50-60Hz
4	24 V AC	$\pm 10\%$ 50-60Hz
5	24 V DC	$\pm 15\%$
<b>4. Options</b>		
00	without option	
01	min- and max-peak hold	
09	1xM20x1.5 Multi (2x $\varnothing 6$ mm), 1xM20x1.5	
14	measuring and monitoring of ultra-pure water acc. to <b>USP&lt;645&gt;</b>	
<b>5. Unit appears on the unit field</b>		
<b>6. Additional text</b> above the display (3x70 mm HxW)		

... professional Instruments "MADE IN GERMANY"