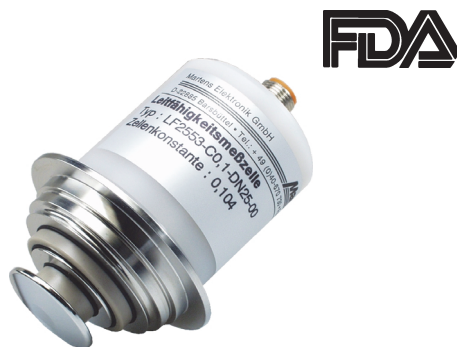


Conductivity Cell LF1553 / LF2553



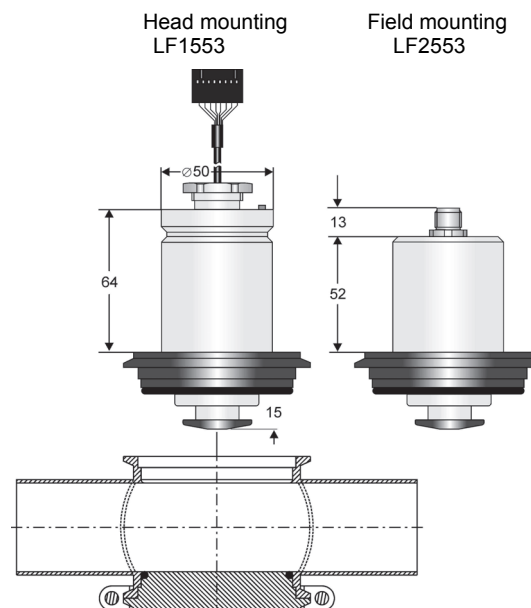
Characteristics

- 2-electrode ultra pure water cell for VARIVENT® Inline-case
- FDA compliant
- Application field food industry
- Measuring range 0..0.5 µS/cm up to 0..50 µS/cm

Technical data

Cell constant	: C = 0.1 exact cell constant labeled on the type plate
Process temperature	: -10..+120 °C CIP-/SIP-capable 140 °C < 1 h
Process pressure	: max. 16 bar
Process material	: stainless steel 1.4404; PEEK; seal EPDM, FDA compliant
<i>Electrical connection</i>	
LF1553	: flat cable connector, only head mounting UNICON-LF
LF2553	: 8 pole round connector plug M12x1, IP67
-Material	: brass nickel plated
Temperature measurement	: integrated Pt1000 sensor DIN IEC751, class A

Dimensions



Ordering code

LF 1. - C0.1 - 2. - 3.

1. Model	
1553	head mounting UNICON-LF
2553	field mounting
2. Process connection	
DN25	VARIVENT® DN25
DN40	VARIVENT® DN40..DN125
3. Options	
00	without option
03	8 pole round plug SS-type

Connection diagram see page Fehler: Referenz nicht gefunden

Accessories see page Fehler: Referenz nicht gefunden

Note:
Conductivity cells LF1553 / LF2553 should **not** be mounted together with other cells in **one** VARIVENT® case.