

# Conductivity Cell LF2653HT



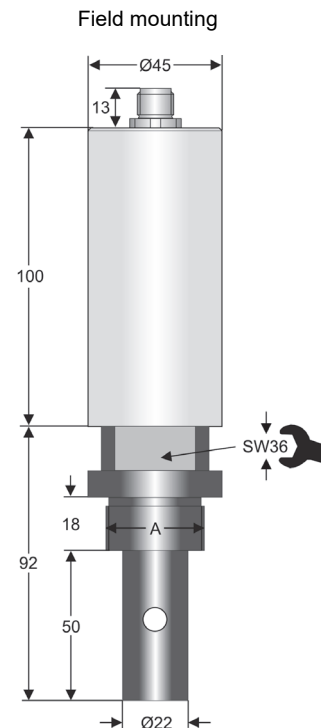
## Characteristics

- 2-electrode conductive high temperature cell for pure- and ultra-pure water with pipe thread acc. to DIN ISO 228
- Measuring range 0..0.5  $\mu\text{S/cm}$  up to 0..50  $\mu\text{S/cm}$

## Technical data

Cell constant	: C = 0.1 exact cell constant labeled on the type plate
Operating temperature	: 0..200 °C
Process pressure	: max. 20 bar
Process material	: stainless steel 1.4404 (316L), ceramic, Kalrez
Electrical connection	
Field mounting	: 8 pole round connector plug M12x1, IP67
Material	: brass nickel plated
Temperature measurement	: integrated Pt1000 sensor DIN IEC751, Class A

## Dimensions



## Ordering code

1. 2. 3.  
LF  - C0.1 -  -

<b>1. Model</b>	2653HT	field mounting
<b>2. Process connection</b>	G $\frac{3}{4}$ A	
	G 1 A	
	G 1 $\frac{1}{4}$ A	
<b>3. Options</b>	00 without option	
	03 8 pole round connector plug SS-type	

Connection diagram see page Fehler: Verweis nicht gefunden

Additional accessories see page Fehler: Verweis nicht gefunden