

# Conductivity Cell LF3043 / LF4043



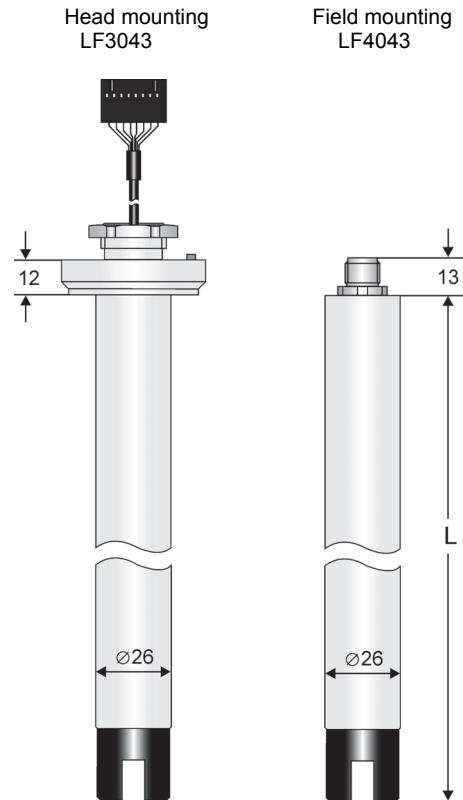
## Characteristics

- 4-electrode immersion cell for wells and open systems
- Measuring range 0..20  $\mu\text{S/cm}$  up to 0..500  $\text{mS/cm}$
- Insensitive against soiling
- No influence from polarization effects and line resistance

## Technical data

Cell constant	: C = 0.5 exact cell constant labeled on the type plate
Operating temperature	: -20..60 °C
Process material (electrodes)	: PA polyamide, casting resin, graphite
<i>Electrical connection</i>	
LF3043	: flat cable connector, only head mounting UNICON-LF
LF4043	: 8 pole round connector plug M12x1, IP67
-Material	brass nickel plated
Temperature measurement	: integrated Pt1000 sensor DIN IEC751, class A

## Dimensions



## Ordering code

LF  1. - C0.5 -  2. -  3.

<b>1. Model</b>	
3043	head mounting UNICON-LF
4043	field mounting
<b>2. Process length (L) [mm]*</b>	
300	
500	
600	
800	
1000	
<b>3. Options</b>	
00	without option
03	8 pole round plug SS-type

\* custom length on request

Connection diagram see page Fehler: Referenz nicht gefunden

Additional accessories see page Fehler: Referenz nicht gefunden