

Conductivity Cell LF3433 / LF4433



Characteristics

- 4-electrode conductive flow cell for pipe systems with Clamp-connection acc. to DIN 32676
- Measuring range 0..20 $\mu\text{S}/\text{cm}$ up to 0..500 mS/cm
- Insensitive against soiling
- No influence from polarization effects and line resistance

Technical data

Cell constant : C = 0.4 exact cell constant labeled on the type plate

Operating temperature : -10..+120 °C
CIP-/SIP-capable 140°C < 1h

Process pressure : max. 16 bar

Process connection : Clamp acc. to DIN 32676

Process material : PEEK, PVDF, stainless steel 1.4404, Graphite (electrodes), Seal EPDM

Electrical connection

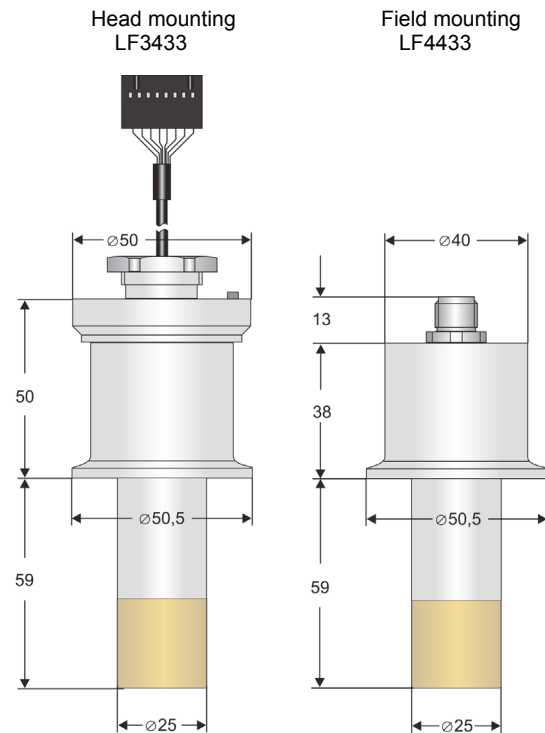
LF3433 : flat cable connector, only head mounting UNICON-LF

LF4433 : 8 pole round connector plug M12x1, IP67

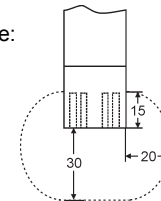
-Material : brass nickel plated

Temperature measurement : integrated Pt1000 sensor DIN IEC751, class A

Dimensions



Mounting distance:



Note:

Cell constant must be checked again, if the free space is less than illustrated.

Ordering code

1. 2.
LF - C0.4 -

1. Model	
3433	head mounting UNICON-LF
4433	field mounting
2. Options	
00	without option
03	8 pole round plug SS-type

Connection diagram see page Fehler: Referenz nicht gefunden

Accessories see page Fehler: Referenz nicht gefunden