

Conductivity Cell LF3623 / LF4623



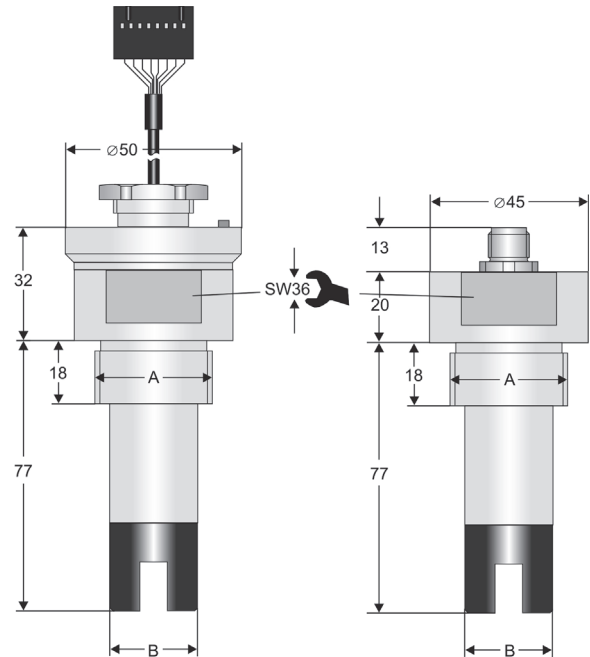
Characteristics

- 4-electrode screw-in cell; pipe thread acc. to DIN ISO 228
- Measuring range 0..20 $\mu\text{S}/\text{cm}$ up to 0..500 mS/cm
- Insensitive against soiling
- No influence from polarization effects and line resistance

Technical data

Cell constant	: C = 0.5 exact cell constant labeled on the type plate
Process temperature	: -10..+120 °C
Process pressure	: max. 16 bar
Process connection	: pipe thread acc. to DIN ISO228
Process material (electrodes)	: PVDF, casting resin, graphite
<i>Electrical connection</i>	
LF3623	: flat cable connector, only head mounting UNICON-LF
LF4623	: 8 pole round connector plug M12x1, IP67
-Material	: brass nickel plated
Temperature measurement	: integrated Pt1000 sensor DIN IEC751, class A

Dimensions



LF3623
for head mounting UNICON-LF

LF4623
for field mounting

Process connection

A	BØ [mm]
G ¾A	23,5
G 1 A	25

Ordering code

1. 2. 3.
LF - C0.5 - -

1. Model	
3623	head mounting UNICON-LF
4623	field mounting
2. Process connection A	
G ¾A	
G 1 A	
3. Options	
00	without option
03	8 pole round plug SS-type