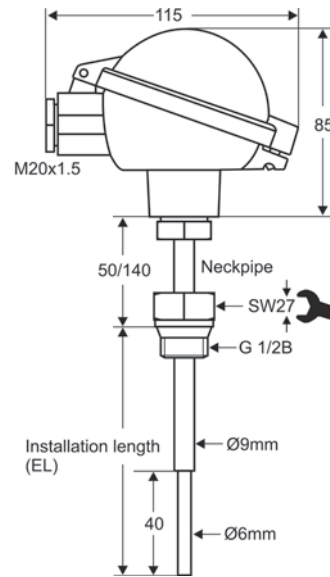


Produktinformation

**Safety RTD Sensor
TR296**



Dimensions



Characteristics

- Fast response sensor for measurement in exhaust gas and air
- **Certified as Sensor for Safety Temperature Limiters STL50 for gaseous media acc. to SIL 2 (DIN EN 61508) and DIN EN 14597 (substitute DIN 3440)**
- Ex certified to ATEX Ex-i GD for gases and dust
- Sensor with 2 x Pt100 class A, 3-wire
- Max. operating temperature -100..+600 °C
- Process pressure 40 bar
- Protection tube D = 9/6mm, stainless steel 1.4571
- Process connection G ½ B
- Terminal head BSZ (Aluminum) IP65 with snap-lid

Temperature equalization

The 63.2 % step-response time of temperature variation at the probe tip will be:

Medium	T63.2%
Water	typical 20 s
Oil	typical 30 s
Air	typical 85 s

Ordering code

1. 2. 3. 4. 5. 6. 7. 8. 9.
 - - - - - - - - -

1. Type	TR296
2. Variation	00 standard Ex Ex certified acc. to ATEX Ex-i GD
3. Measuring elements	2 2 elements Pt100 class A, 3-wire
4. Protection tube diameter	9/6 9mm to 6mm reduced
5. Neck pipe length	50 50 mm 140 140 mm XX custom neck pipe
6. Installation length NL	100 100 mm 160 160 mm 250 250 mm 400 400 mm 600 600 mm XX custom length
7. Process connection	G ½ B
8. Terminal head	BSZ with snap-lid (Aluminum)
9. Max. operating temperature	600°C

(Custom variation on request)